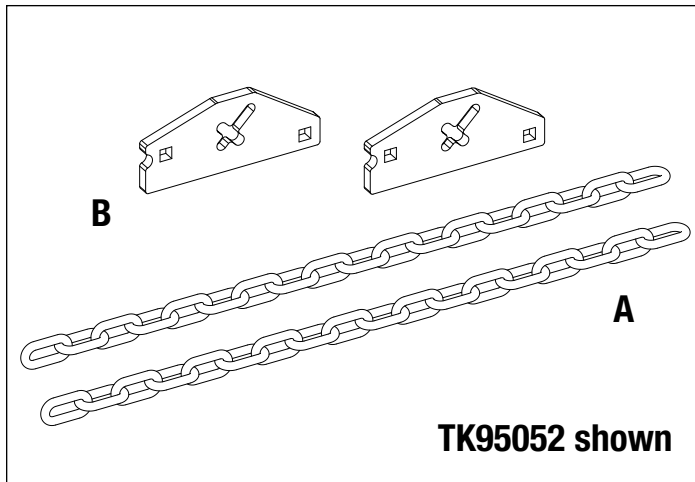


Stay Chain Kit (TK95052 & TK95053)



The Stay Chain Kit stabilizes a TKV 20 while operating on inclines and keeps the PTO shaft level while the mower deck is lowered. This kit connects a TKV 20 to Kubota BX2380 and BX2680 Sub-Compact Tractors.

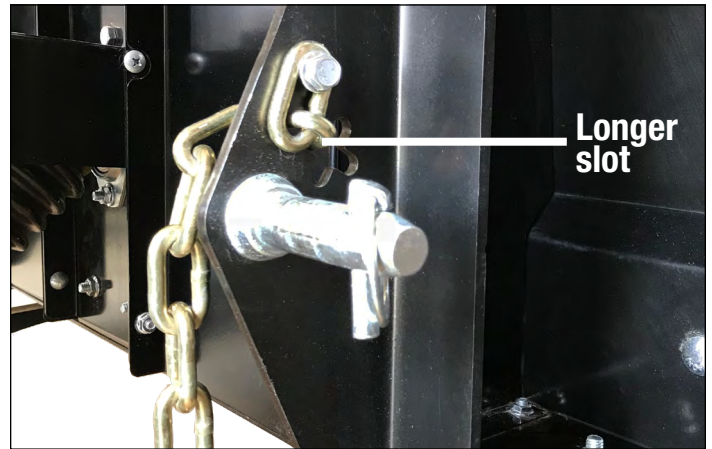


Kit Includes

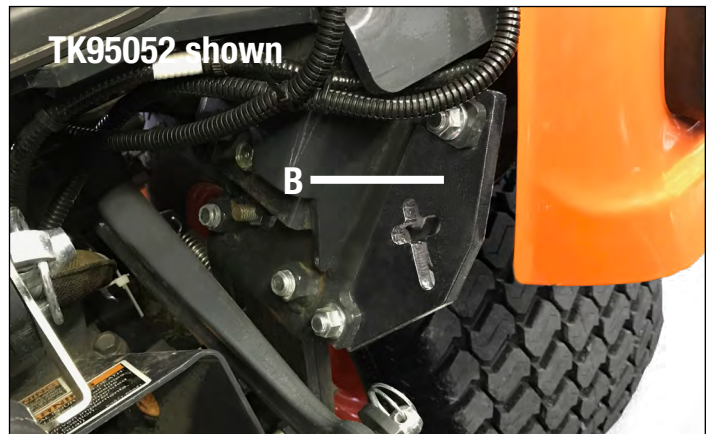
| Letter | Description | Qty |
|--------|---------------------------------|-----|
| A | 19 Links of 1/4" Grade 70 Chain | 2 |
| B | Chain Connection Plate | 2 |
| C | 5/16" x 1" Flange Bolt | 4 |
| D | 5/16" Flange Nut | 4 |

Installation Instructions

- Put the first link of one chain (A) through the slot on one of the TKV 20's pre-installed connection plates. Slide the second link up into the longer slot on the connection plate and bolt the first link as shown using 5/16" x 1" flange bolt (C) and 5/16" flange nut (D). Torque to 15 +/- 1 ft. lbs. Repeat on the other connection plate.



- At the rear of the tractor, remove the two bolts from the existing metal plate. Remove the metal plate and install the Chain Connection Plate (B) as shown, using the 5/16" Flange Bolts and 5/16" Flange Nuts. Repeat on the other side of the tractor.



- Connect the TKV 20 to the tractor and lift the 3-point arms.

- Slide the Chain (A) through the Chain Connector Plate (B) mounted on the tractor. Be sure that the same amount of links are slid through on both sides. Typically, the second link of chain is positioned in the plate as shown.

If the PTO shaft is not level when lowered, raise the 3-point arms again and adjust the number of links through the slot as necessary. Extra links of chain can be cut off if desired.



WARNING: Slowly lower the TKV 20 to prevent damage from occurring. Repeatedly dropping the TKV 20 too fast against the chains can result in damage to the Stay Chain Kit, Tractor and TKV 20.



CAUTION: Operating PTO on an angle will cause excessive wear or damage.

Warranty

TerraKing's products are guaranteed to be free from defects in material and/or workmanship and to perform as advertised when properly assembled, installed, used, and maintained in accordance with written instructions. Failure to adhere to this will void the warranty. TerraKing will not be responsible for labor, loss, or consequential damage of any kind or character caused by defective parts, or for charges incurred in the replacement or repair of defective parts. TerraKing reserves the right to request photos or return of damaged/defective parts. To submit a claim, please have your original purchase date and a copy of your receipt (if available).

Warranty Period

The TerraKing Stay Chain Kit is warranted for a period of 1 (one) year after the purchase date for residential use, and 6 (six) months after the purchase date for commercial use. This product is warranted by TerraKing to the original purchaser/customer against defects in material and workmanship under normal operating conditions.